

Project Name:
GPE



Drawing By:
GPE infrastructure engineer.

Checked By:
Abdinasir Ali
Title: Construction Eng-ALight

Approved By:
Technicind Team
MoPWH&L

Drawing Name:
Construction of School Library.

Date : 19/March/2026

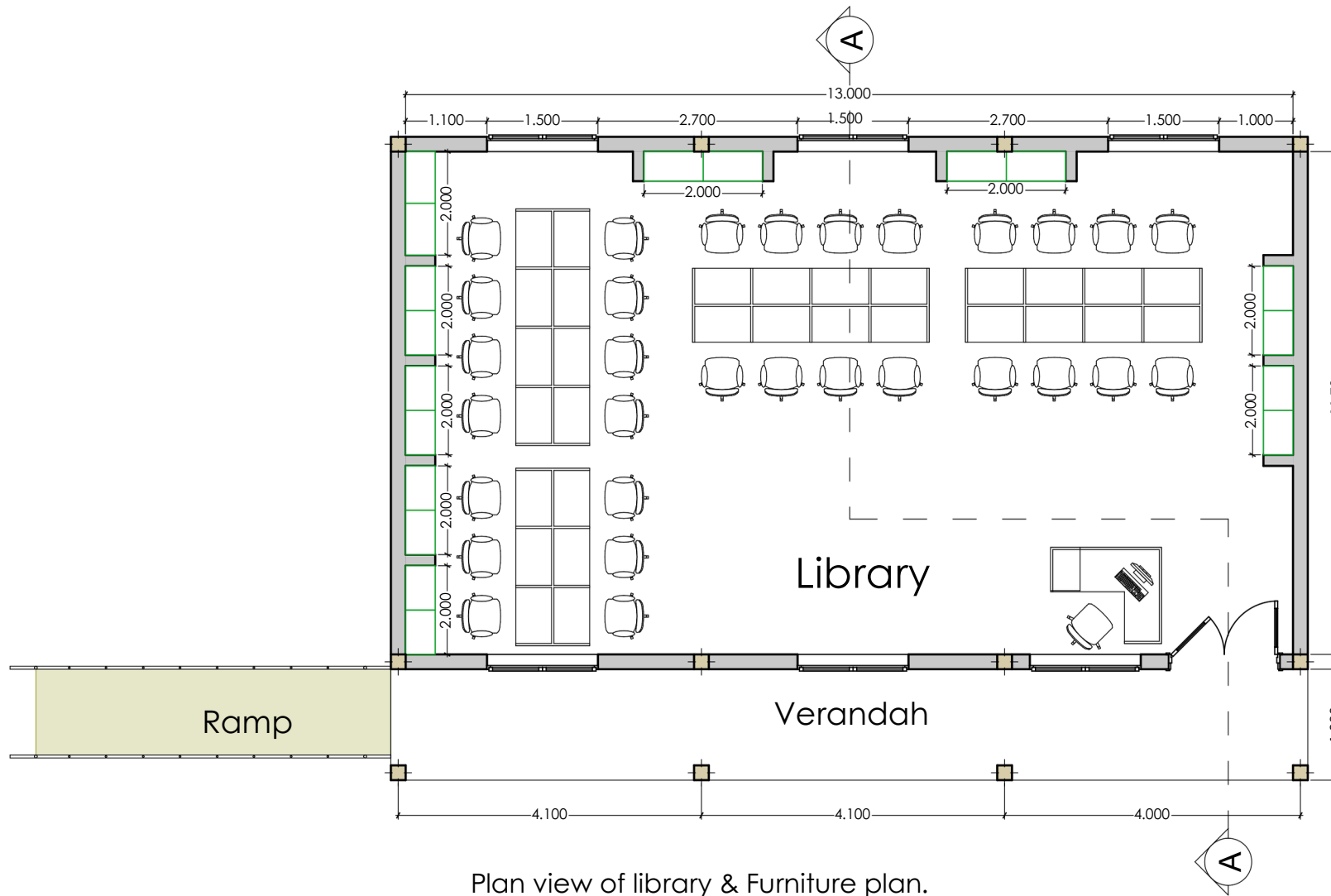
Scale : 1:100

Note:
All dimensions are in meter.

Note:

- 8 Windows (1,500m width.
- Back side (5), Front side (3).
- 4 Columns of front, back & verandah.
- All dimensions are in meter.

Plan view of library.



Plan view of library & Furniture plan.



Project Name:
GPE



Drawing By:
GPE infrastructure
engineer.

Checked By:
Abdinasir Ali

Title: Construction Eng-Alight

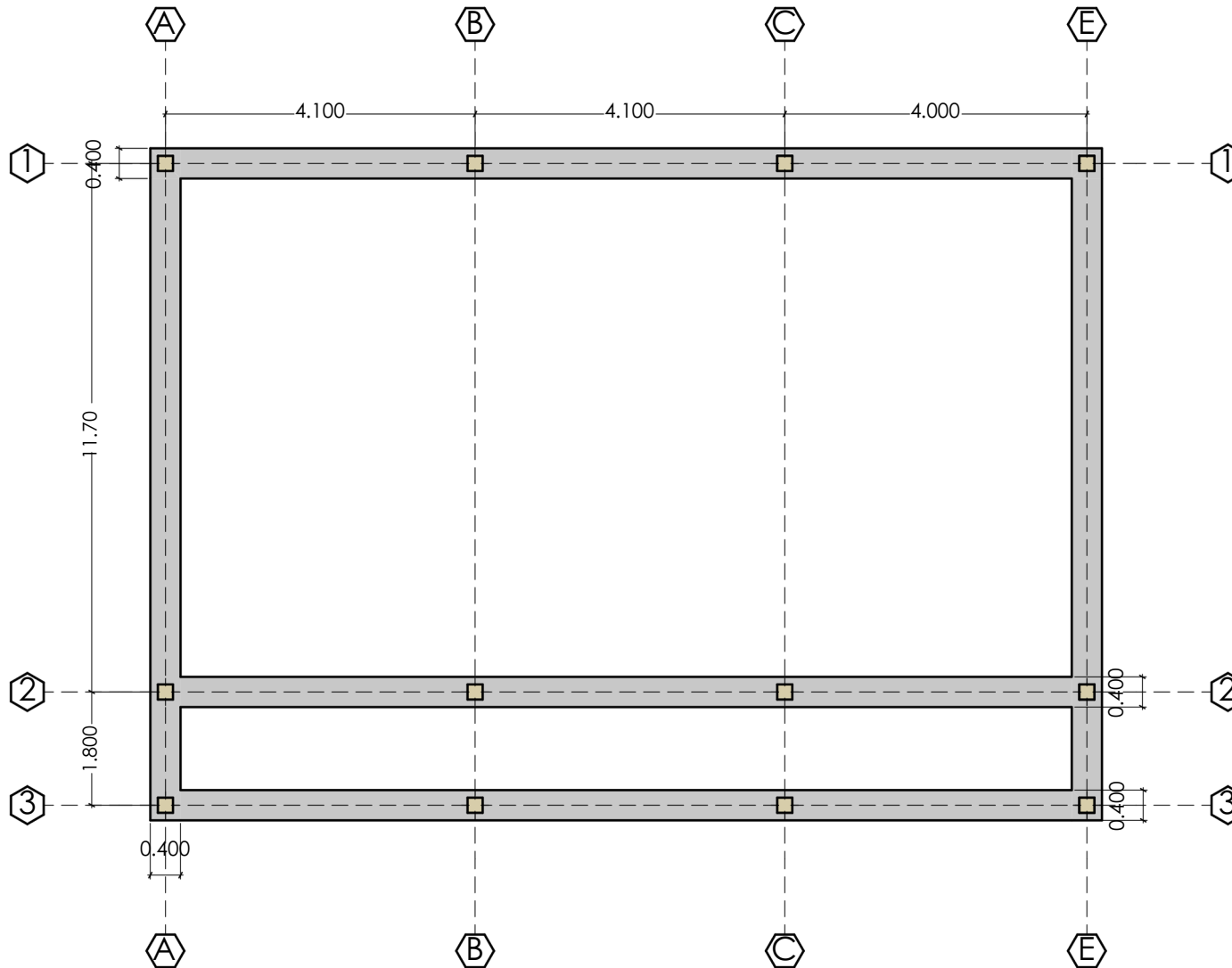
Approval By:
Technincial Team

Drawing Name:
Construction of
School, Library.

Date : 19/March/2026

Scale : 1:100

Note:
All dimesnsions
are in meter.



Project Name:
GPE



Drawing By:
GPE infrastructure
engineer.

Checked By:
Abdinasir Ali

Title: Construction Eng-Alight

Approval By:
Technincal Team

Drawing Name:
Construction of
School, Library.

Date : 19/March/2026

Scale : 1:100

Note:
All dimesnsions
are in meter.

Project Name:
GPE



Drawing By:
GPE infrastructure
engineer.

Checked By:
Abdinasir Ali

title: Construction Eng-Alight

Approval By:
Technincal Team




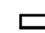




Drawing Name:
Construction of
School, Library.

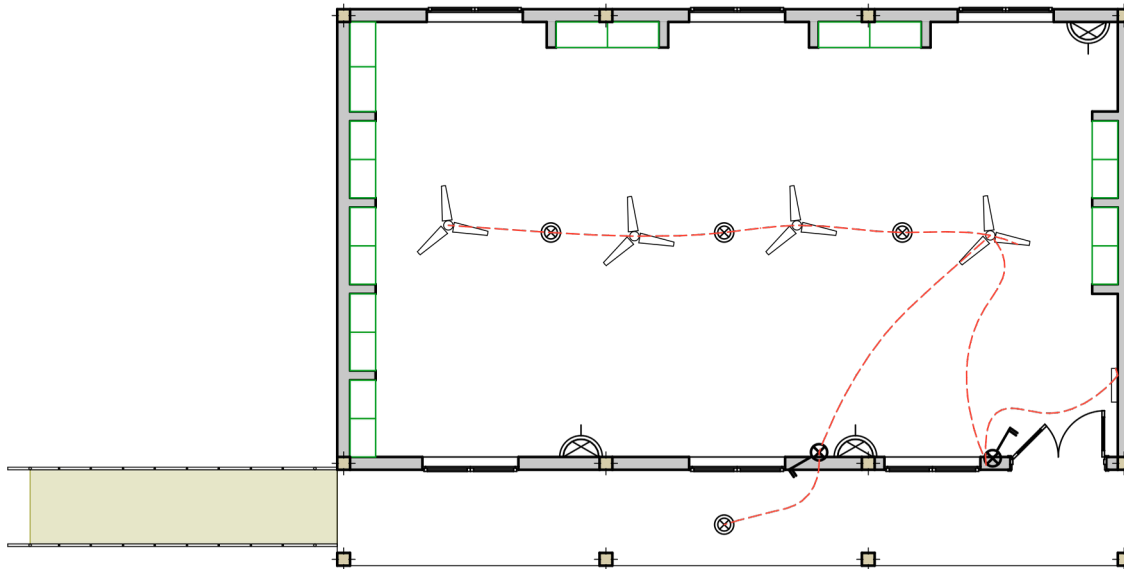
Date : 19/March/2026

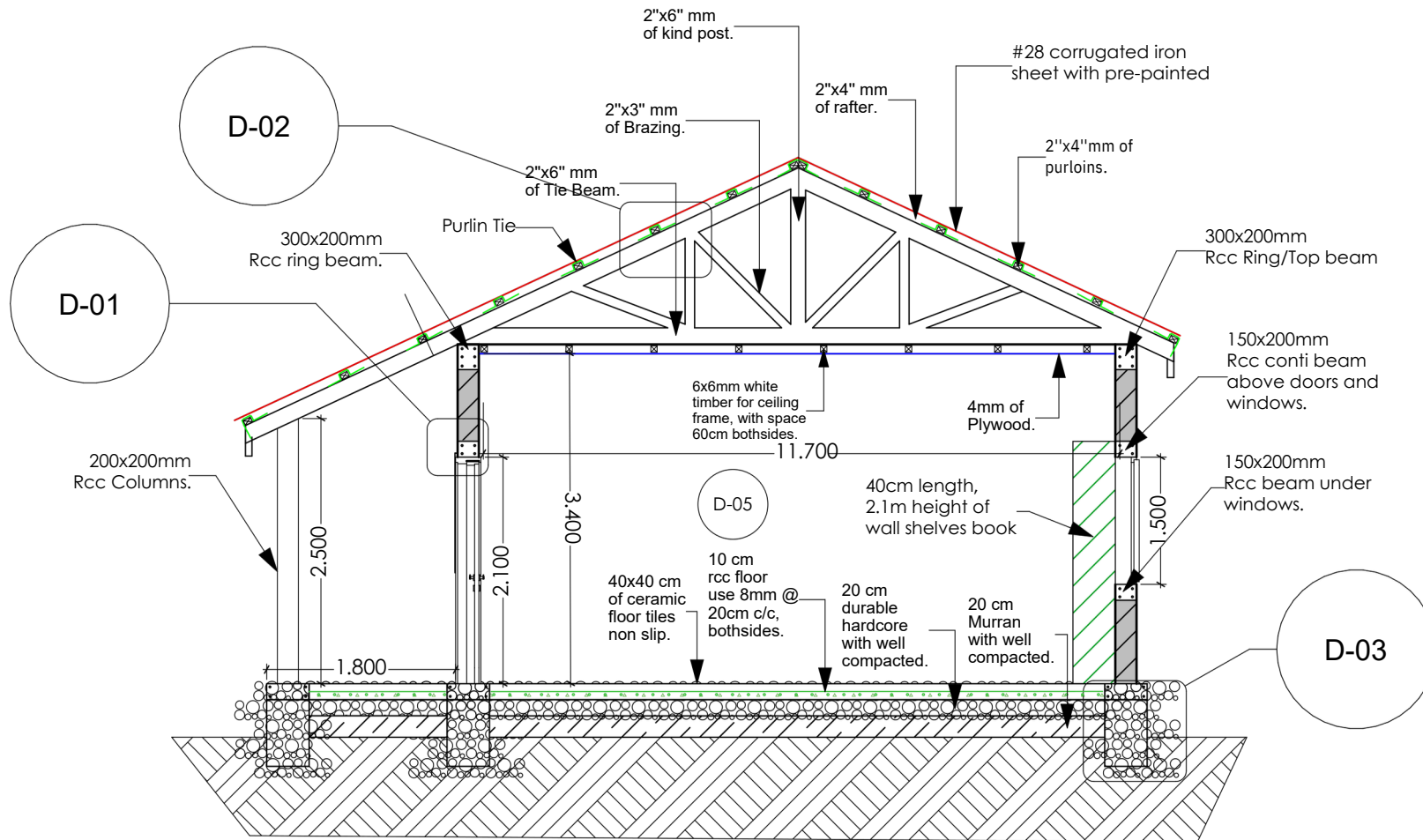
Scale : 1:100

Note:
All dimesnions
are in meter.

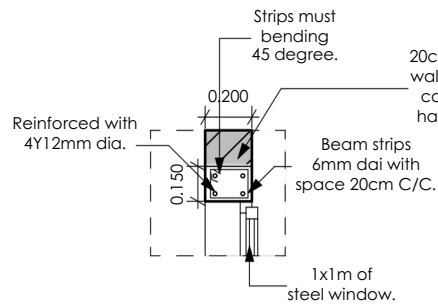
Key Legend

Symbol of item	Description of item	Quantity
	Lamp 40w bulb, with holder.	5 pcs
	2-gang 2-way switch screwfix	3 pcs
	2-gang socket screwfix Socket White.	4 pcs
	Circuit Breaker Panel Garage-4 way-63A.	1 pcs
	2.5mm thicknes of electrical wiring.	2.5 Rolls
	electrical junction box screwfix.	3 Pcs
	Heavy Duty Round PVC Conduit 2m Black pipe under walls.	10 Pcs
	Ceiling Fans	4 Pcs

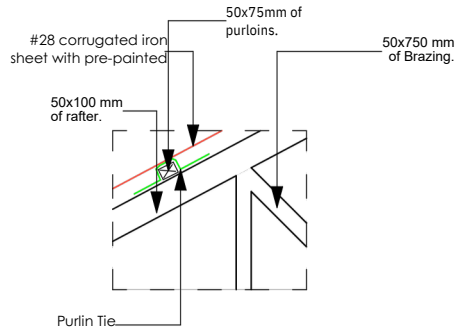




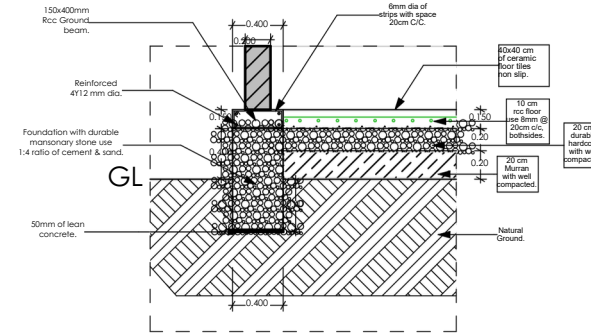
Section A-A



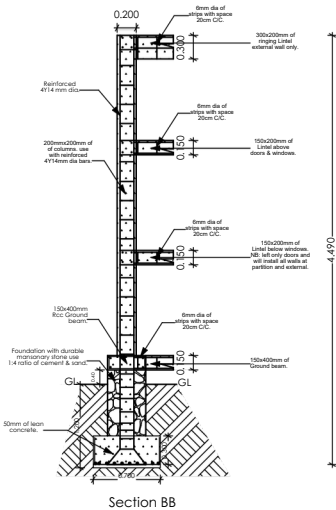
Details-01



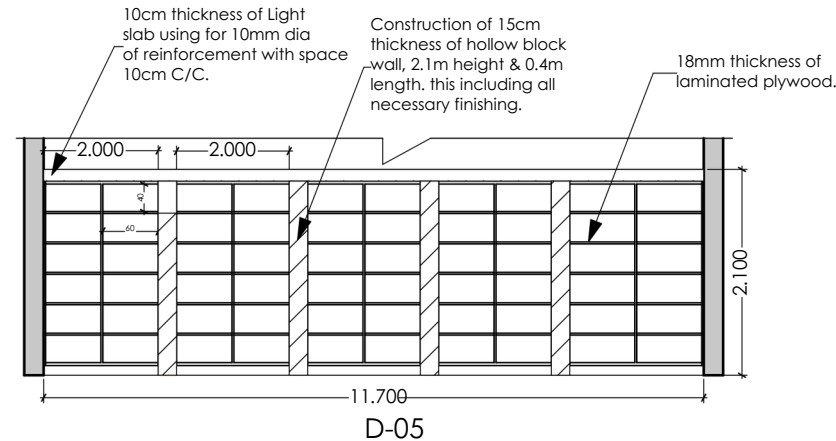
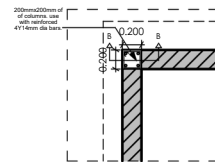
Details-02



Details-03



Detail-04



Book shelves wall details



Project Name:
GPE



Drawing By:
GPE infrastructure
engineer.

Checked By:
Abdinasir Ali

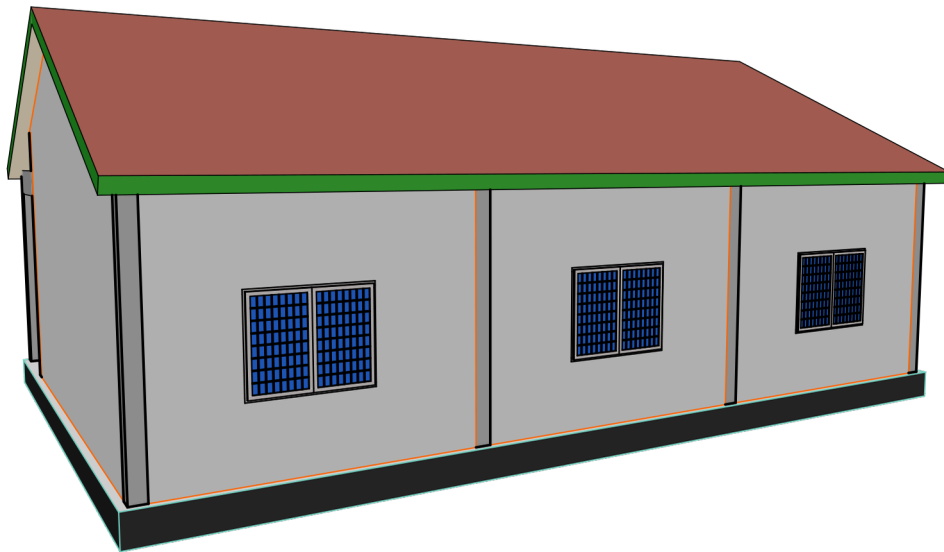
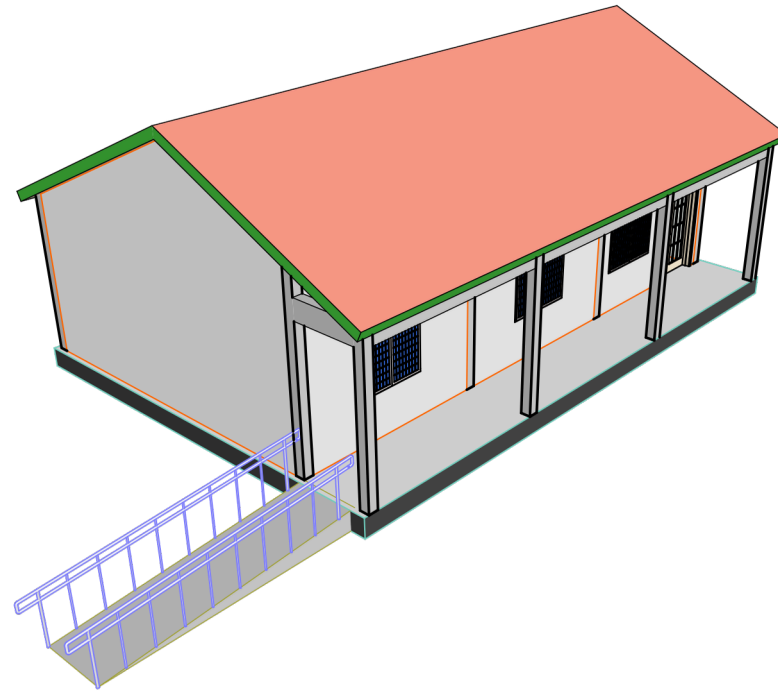
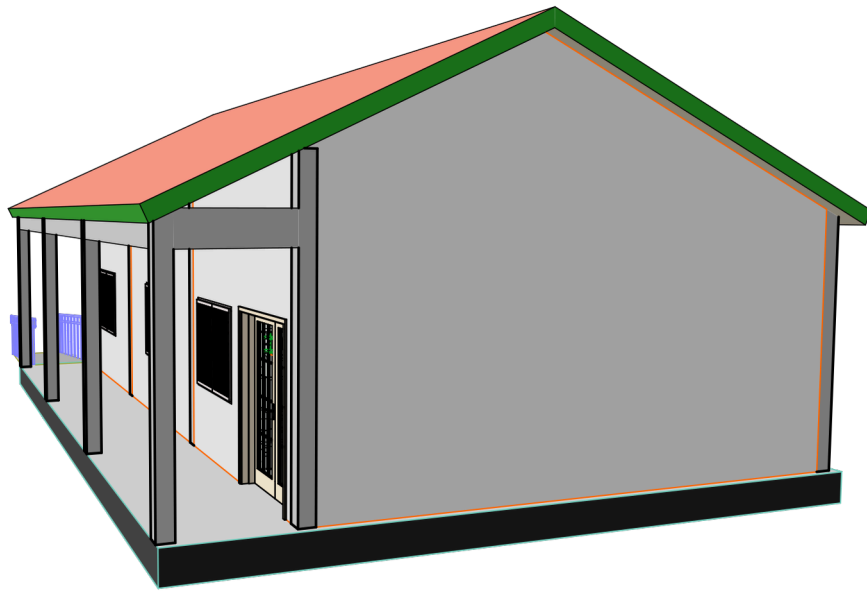
Title: Construction Eng-Alight
Approval By:
Technincal Team

Drawing Name:
Construction of
School, Library.

Date : 19/March/2026

Scale : 1:100

Note:
All dimesnions
are in meter.



Project Name:
GPE



Drawing By:
GPE infrastructure
engineer.

Checked By:
Abdinasir Ali

Title: Construction Eng-Alight

Approval By:
Technincinal Team

Drawing Name:
Construction of
School, Library.

Date : 19/March/2026

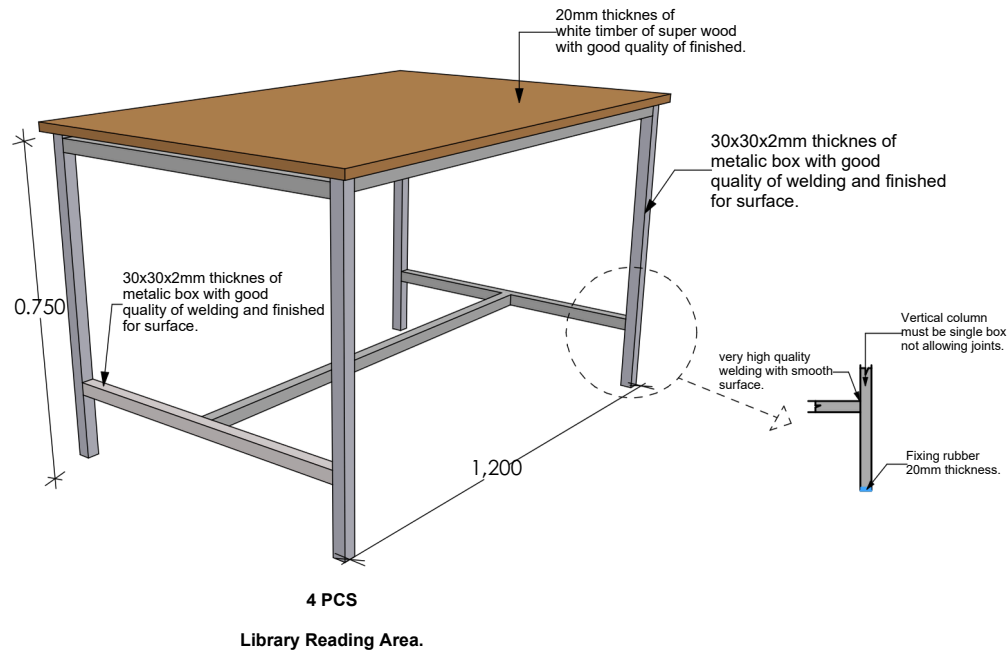
Scale : 1:100

Note:

All dimesnions
are in meter.



2 Pcs
Librarian person Chair



Project Name:
GPE



Drawing By:
GPE infrastructure engineer.

Checked By:
Abdinasir Ali

Title: Construction Eng-Alight

Appovel By:
Technical Team

Drawing Name:
Construction of School, Library.

Date : 19/March/2026

Scale : 1:100

Note:
All dimesnions are in meter.